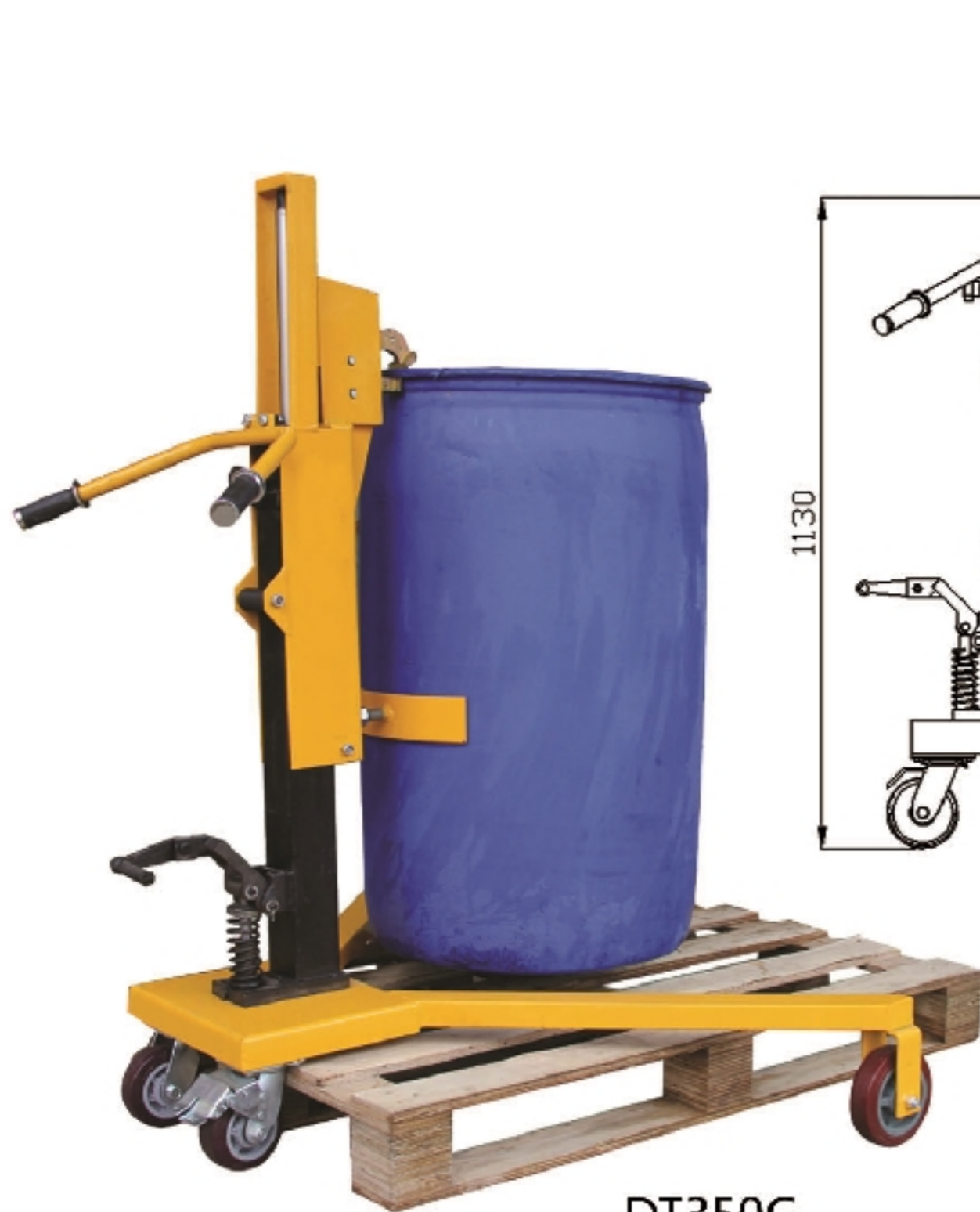
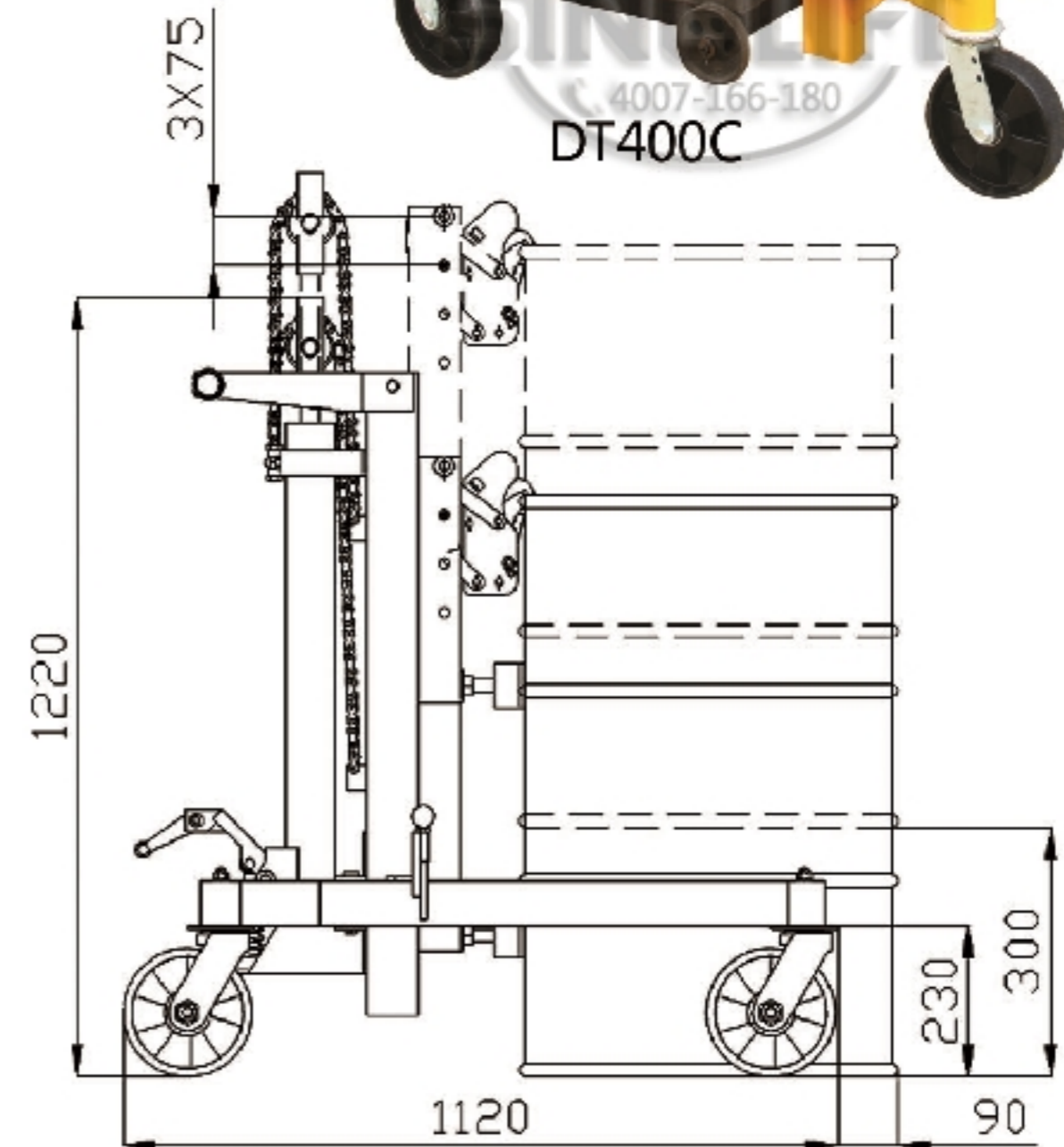
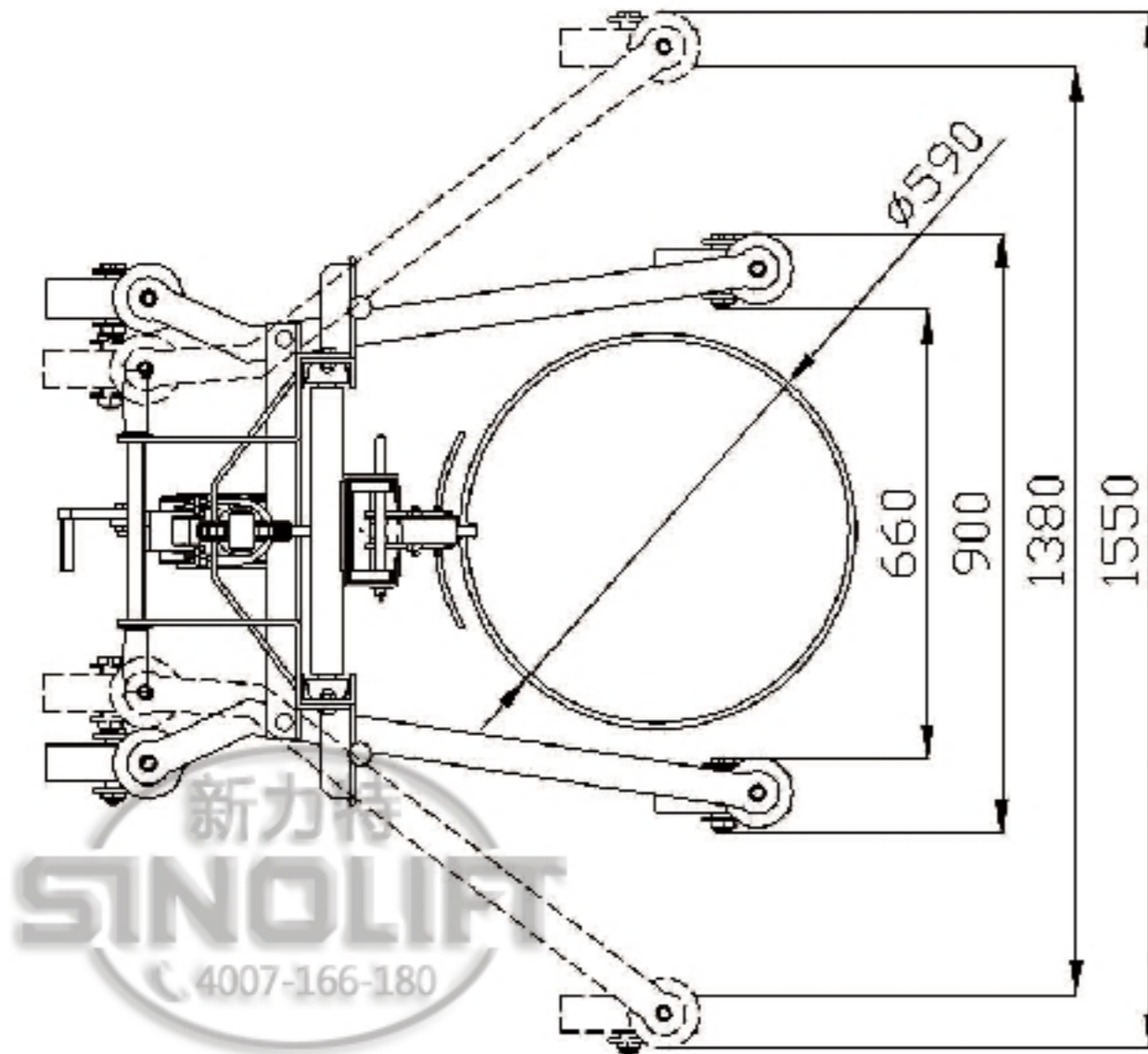
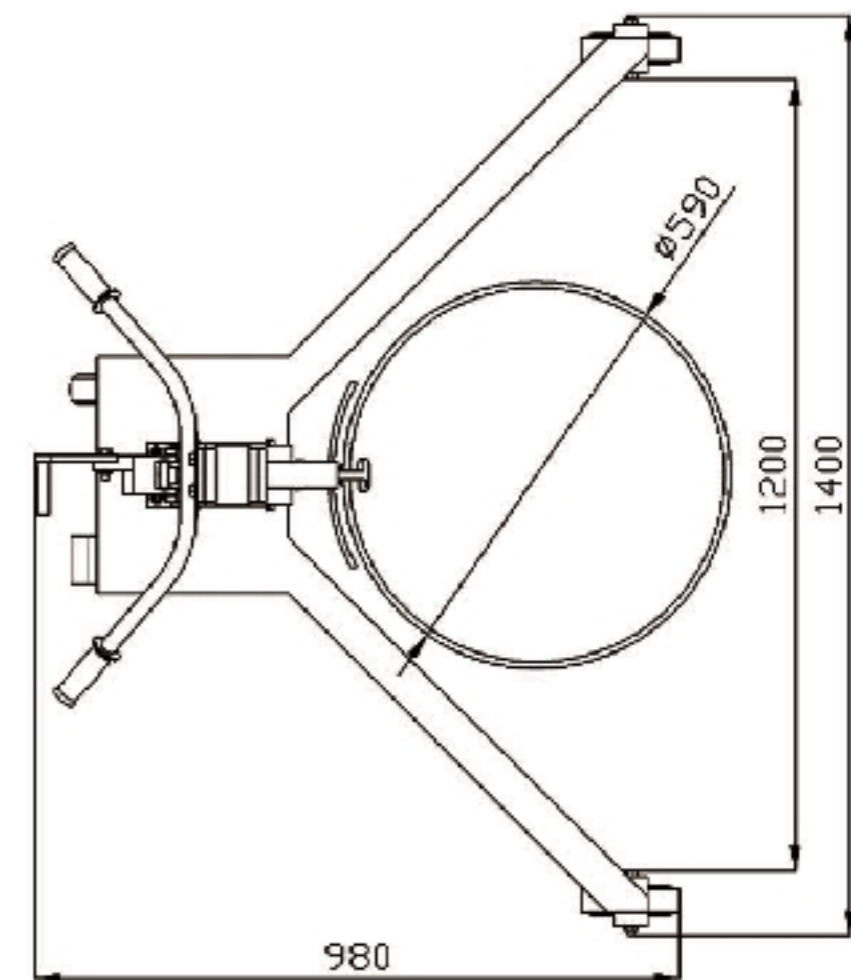
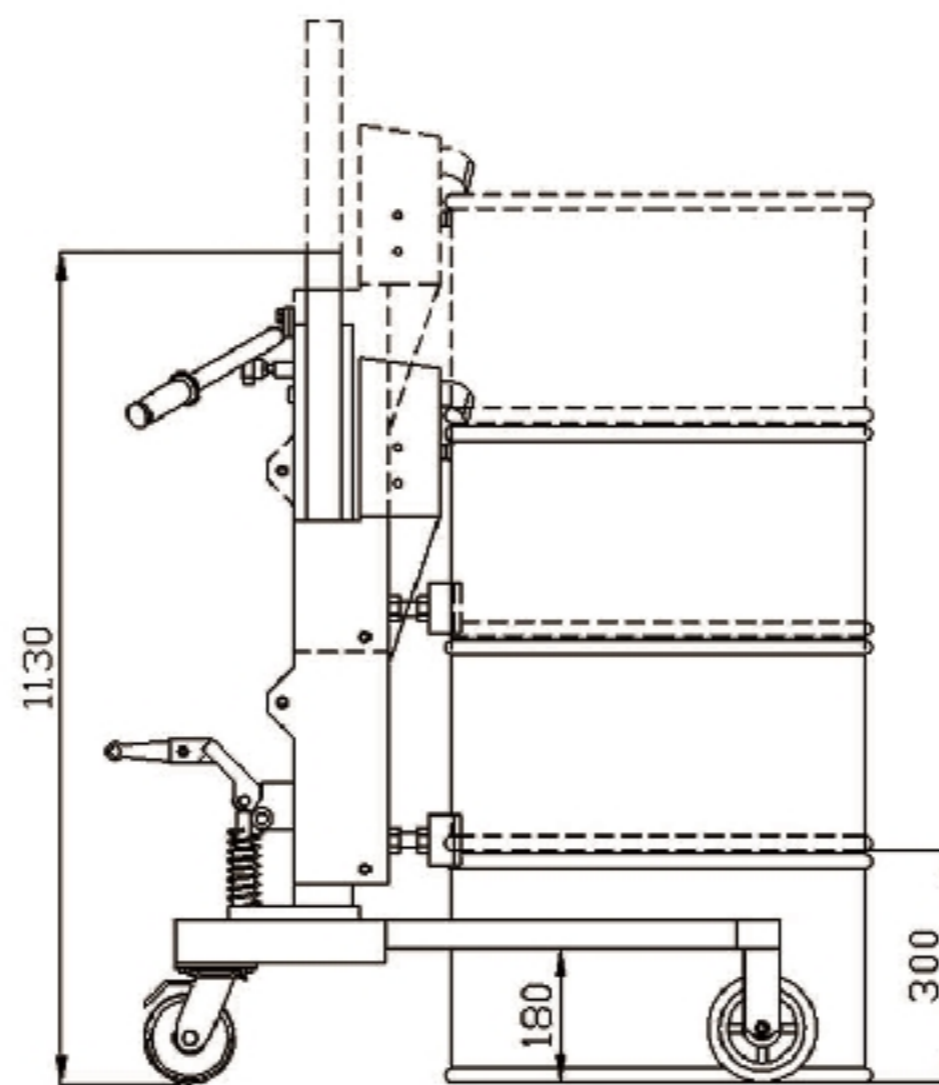


1. 设计结构简单轻巧，操作简便省力，带刹万向轮设计，安全可靠。
 2. 鹰嘴结构，适合 55 加仑钢制油桶和 200L 闭口塑料油桶。1. 设计结构简单轻巧，操作简便省力
 3. DT400C 可调式的支撑腿
 4. DT400C 单鹰嘴、双鹰嘴选配
- Ergonomic solution for lifting, transporting and placing 55 gallon rimmed steel drums and 200L rimmed plastic drums on spill or standard pallets;
 - Eagle-grip structure, and brake castor;
 - DT400C is with adjustable supporting legs, optional single Eagle-grip and double Eagle-grip;



DT350C



型号 Model		DT350C	DT400C
额定负载 Rated load capacity	kg	350	400
净重 Net weight	kg	55	109
脚轮规格 Wheel Dimension	mm	Φ150*50 Φ125*50	Φ200*50